

**afimilk<sup>®</sup>**

**AfiShepherd  
Product Line**

Advanced Technology  
for Increased Farm Profits

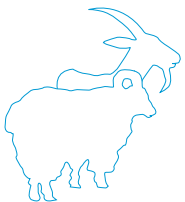
[www.afimilk.com](http://www.afimilk.com)





# AfiShepherd

Sheep and Goat Management System



**Count Every Drop.  
Make Every Drop Count.**

## **Maximizing Profits**

High productivity, good health and successful reproduction: in today's challenging market, these factors are vital for profitable livestock farms. To reach these goals - and get maximum returns - comprehensive herd management systems are crucial.

Achieving profitability with herds of hundreds, sometimes thousands of animals demands precision farming management. This means that farmers must have every detail about each animal at their fingertips. Building this reliable database demands one critical tool: automatic data collection.

## **Information is Control**

The AfiShepherd family of products provides small ruminant farms with all the information they need. Offering data on the herd as a whole, and on each animal individually, these systems serve as the farmers' eyes and ears. With AfiShepherd, the herdsman makes the most informed - and soundest - managerial decisions.

# A Complete Solution

An advanced management tool for the sheep and goat herd farmer, AfiShepherd is the product of years of field-tested and -proven experience. The system improves all main aspects of sheep and goat farming:

- Increases herd productivity by identifying non-productive animals for culling.
- Enables branch specialization by gathering most productive animals and breeding best milk producers.
- Optimizes feed consumption by guaranteeing that every group of animals receives its optimal ration.
- Enhances individual animal production by enabling genetic improvement.
- allows farmers to best manage and monitor their herds.

**An advanced management tool for the sheep and goat farmer, AfiShepherd is the product of years of field-tested and -proven experience. Producing quality milk is a complex process. In the highly competitive dairy industry, there is no room for error.**

# ***The AfiShepherd Family***

**We do the Measurement. You do the Management.**



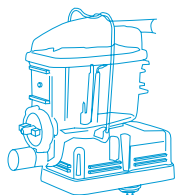


**AfiFree**

\*Approved by ICAR (International Committee for Animal Recording)

# AfiFree

The Ultimate Milk Meter



## The Ultimate Milk Meter

\*AfiFree | Approved by ICAR (International Committee for Animal Recording)



# ***AfiFree – All You Need to Know About Every Animal in the Herd***

To maximize profits, goat and sheep farmers must have their “finger on the pulse” of each and every animal in the herd. AfiMilk’s AfiFree 155 and 155i units supply farmers - in real time - with the information they need about milk quality and quantity, as well as animal health.

The AfiFree system is a free-flow device specially designed for small ruminant milk measurement. Based on an exclusive algorithm, AfiFree accurately gauges milk yield, electrical conductivity, milking times and flow rates. AfiFree, geared toward animal well-being, alerts users to udder disease, and stops milking automatically when the flow drops, thus preventing over-milking. Simple and user-friendly, AfiFree is outfitted with an easy user interface, and offers low cost maintenance with small quantities of cleaning fluids.

AfiFree is the first milk meter for sheep and goats to be approved by the International Committee for Animal Recording (ICAR).

# AfiFree Benefits

Immediate, hands-on information about animals at milking point:

- **Data** - displays animal's number upon identification, shows milk weight when milking starts.
- **Health alert** - points out problematic animals or those requiring special attention.
- **Yield alert** - shows when yields are lower than expected.
- **Mastitis alert** - indicates high possibility of mastitis.



# Afi2GO

Report events and animal treatments outside the office



**The Eye, Notebook, Pen and  
Memory of the Modern Farmer**

# Afi2GO – Optimize Your Work Process

Farming is not a desk job. The herdsman's routine includes hands-on tasks, contact with animals and real-time decisions. For these reasons, the portable electronic micro-computer system, Afi2GO, is a crucial tool. While making rounds to animal pens, herd managers use Afi2GO, after it is synchronized with the office PC, to identify animals needing treatment, and to record this information. Back at the office, they synchronize between the Afi2GO and the office computer to download the necessary data. The result: reduced errors in animal ID and a simpler, quicker working process.

With great flexibility, Afi2GO serves different operations:

- **Animal pens** - identifies animals and indicates those that need attention; is quick and practical for tracing large groups.
- **Hospital pens** - provides ID information that enables the operator to act upon specific or multiple treatments for each animal identified.
- **Working stations** - allows operator to run a line of animals through a data station, for example for weighing, checking or treating, and to record information.

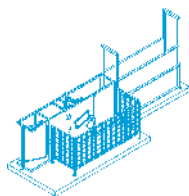
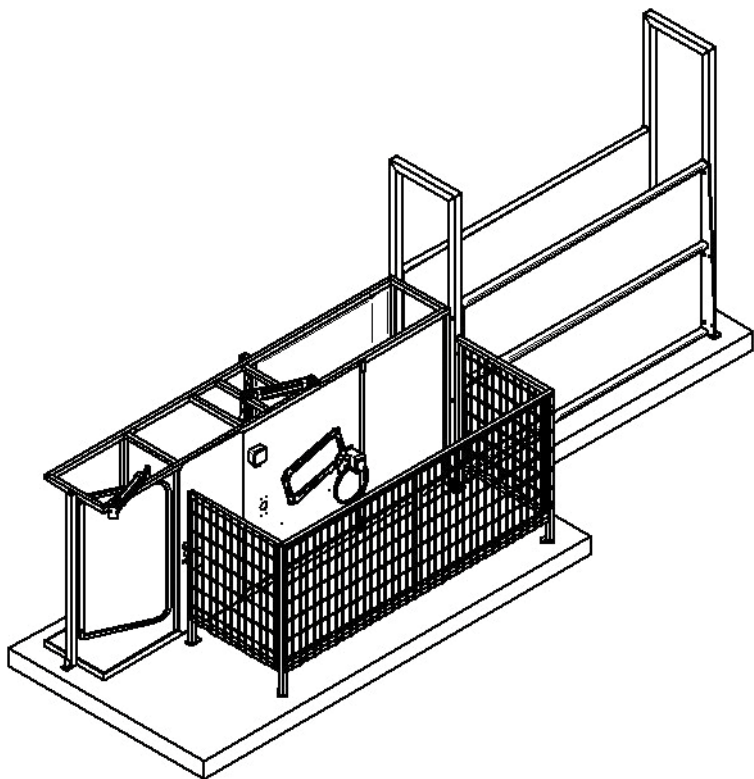




**AfiSort SR**

# AfiSort SR

An extra hand for the sheep/goat farmer



**An extra hand for the sheep/  
goat farmer**

# **AfiSort – Automated Sorting and Selection**

On any given day, sheep and goat farmers may treat tens, if not hundreds, of animals. From natural breeding functions to rare and unexpected illnesses, all involve an array of examinations that herdsmen must perform regularly.

Proper care demands constant tracking, selection and monitoring of animals. Despite the labor-intensive and time-consuming nature of these tasks, animals may still remain unattended. For this reason, these activities call for extra hands on the dairy farm. This is where AfiSort SR comes in.

AfiSort SR is a computerized gate control system designed to direct animal traffic. Using the comprehensive AfiShepherd database, the farmer sorts and selects animals - automatically and efficiently.

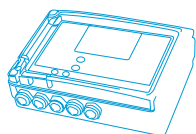
An essential tool in modern farming, AfiSort SR offers:

- **Automated animal selection** - AfiSort SR traces animals that need special daily attention. Controlling the sort gates, the system separates animals into their respective treatment areas according to the farmer's predefined instructions.
- **Computerized herd control** - As selected groups of animals leave the milking parlor, they are diverted back to their pens, or are moved between pens.
- **Targeting animals for treatment** - AfiSort SR helps to efficiently isolate animals, enabling quick examination and treatment.



# AfiPass

For automated animal ID



**For automated animal ID**



# **AfiPass – High-Precision ID for Animal Monitoring**

Today, accurate animal identification and data recording form the basis for efficient herd management and genetic improvement programs.

Worldwide, farmers use standard electronic identification chips to monitor farm animals. These chips may trace animals, collect data or ensure food safety. To read commonly approved ISO ID tags and provide different configurations for data collection, AfiPass is the ideal solution.

Flexible and adaptable, AfiPass is suitable for most goat and sheep milking parlors. The system can support different milking parlor arrangements, as well as various operation sequences within the parlor.

AfiPass supports configurations for:

- **Rotary Parlors** - accurately identifies both the animal and the stall in which it is being milked. Assigns data to each goat or sheep with great precision.
- **Shared Parallel Stall ID** - for use with milking machines that milk several animals at once. Monitors each animal and assigns correct milk measurements to all sheep or goats being milked by the same machine.
- **Entrance ID** - identifies sheep or goats as they enter parallel milking parlors.

**AfiPass is based on an array of antennas, a transponder attached to each animal, and the AfiPass controller that sends the ID data to the AfiShepherd software.**

**The Heart of a Dairyman  
The Mind of a Manager**

**More than 30 years of innovation  
Thousands of happy dairy farmers worldwide**

**afimilk<sup>®</sup>**  
The Heart of the Dairy Farm

S.A.E. Afikim | Kibbutz Afikim, 15148, Israel | Tel: 972-4-6754812,  
Fax: 972-4-6751862 [market@afimilk.com](mailto:market@afimilk.com) | [www.afimilk.com](http://www.afimilk.com)

